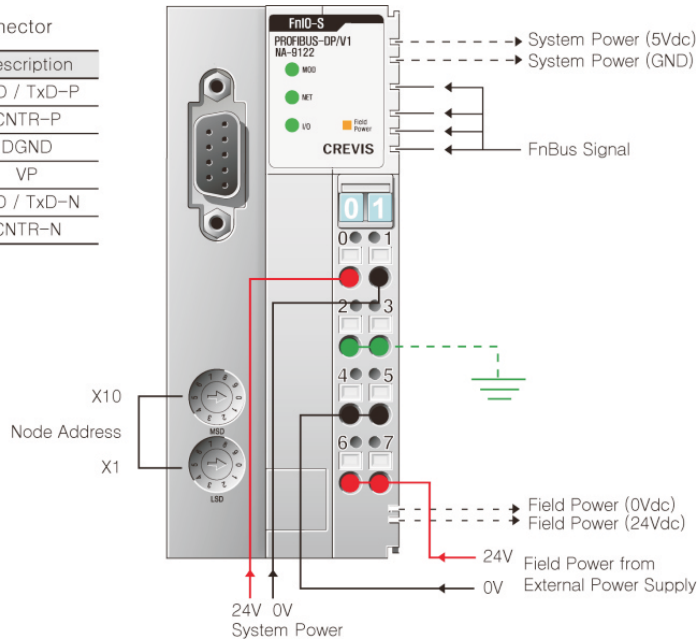


PROFIBUS DP/V1 Network Adapter, 128 bytes input and 128 bytes output

PROFIBUS Connector

Pin No.	Description
3	RxD / TxD-P
4	CNTR-P
5	DGND
6	VP
8	RxD / TxD-N
9	CNTR-N



Item	NA-9122
<b>Interface Specifications</b>	
Redundancy	Not supported
Repeater Control Signal	TTL
Freeze mode	Support
Sync mode	Support
Auto baudrate	Support
Fail safe mode	Support
Station type	Slave
FMS support	Not supported
Number of Station	100 Station/Max (Rotary switch #0~99)
Number of Expansion I/O slots	Max. 32 Slots
I/O Data Size	Total : Input 128 bytes / Output 128 bytes - Max. Discrete I/O : Input 1024 points / Output 1024 points - Max. Analog I/O : Input 64 channels / Output 64 channels
Indicators	1 Green/Red Module Status Indicator 1 Green Network Status Indicator 1 Green/Red Expansion Module Status Indicator 1 Green/Field Power Status Indicator
Baud Rate	9.6K ~ 12M(1.2Km~100m)
Communication Speed	9.6K~12Mbps (Auto baudrate selection)
Module Location	Starter module - left side of FnIO system
Field Power detection	Detect Field Power @ 11Vdc
<b>General Specification</b>	
System Power	Supply Voltage : 24Vdc nominal Voltage Range : 11~28.8Vdc Protection : Output Current Limit (Min. 1.5A) Reverse Polarity Protection
Power Dissipation	60mA Typical @24Vdc
Current for I/O Module	1.5A @5Vdc
Isolation	System Power to internal logic : Non-Isolation System power to I/O driver : Isolation
Field Power	Supply Voltage : 24Vdc nominal Supply Voltage Range : 11~28.8Vdc
Max. Current Field Power Contact	DC 10A Max.
Weight	155g
Module Size	45mm x 99mm x 70mm
Environment Condition	Refer to " Environment Specification"(page : 1-191)

# Network Adapter

## Status Indicator LED

### MOD : Module Status LED

Status	LED is	To indicate
No Power	Off	No power is supplied to the unit
Device Operational	Green	The unit is operating in normal condition
Device in Standby	Flashing Green	The device needs commissioning due to configuration missing, incomplete or incorrect.
Minor Fault	Flashing Red	Recoverable Fault
Unrecoverable Fault	Red	The unit has occurred unrecoverable fault in self-testing - Invalid Module ID - Firmware Fault - Hardware Fault

### NET : Network Status LED

Status	LED is	To indicate
Not Powered Not on-line	Off	Device is in mode baud rate search or may not be powered
On-line, Not connected	Flashing Green	Device is on-line but has no connections in the established state. - Not allocated to a master - Rotary switch configuration error
On-line, Connected	Green	Device is on-line and allocated to a master

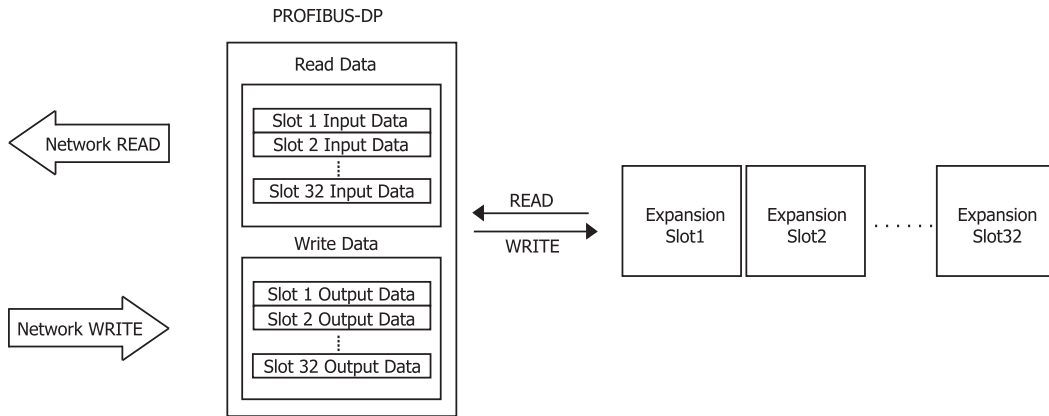
### I/O : Expansion Module Status LED

Status	LED is	To indicate
Not Powered Not Expansion Module	Off	Device has no expansion module or may not be powered
Fn-Bus On-line, Do not Exchanging I/O	Flashing Green	Fn-Bus is on-line but does not exchanging I/O data - Passed the expansion module configuration
Fn-Bus Connection, Run Exchanging I/O	Green	Expansion Slot is connected and run exchanging I/O data
Fn-Bus Connection Fault during Exchanging I/O	Red	One or more expansion module occurred in fault state - Changed expansion module configuration - Fn-Bus communication failure
Expansion Configuration Failed	Flashing Red	Failed to initialize expansion module - Detected invalid expansion module ID - Overflowed Input / Output Size - Too many expansion module - Initial protocol failure - Mismatch vendor code between adapter and expansion module

### Field Power : Field Power Status LED

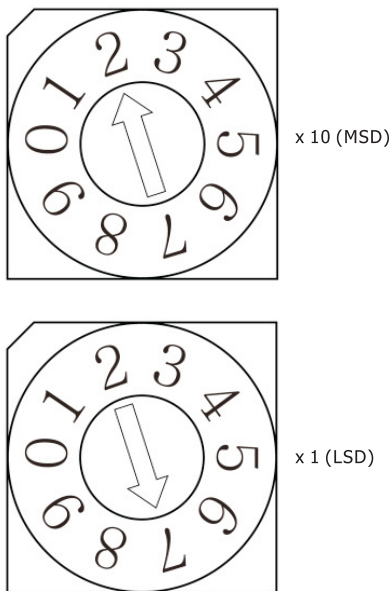
Status	LED is	To indicate
Not Supplied Field Power	Off	Not supplied 24Vdc field power
Supplied Field Power	Green	Supplied 24Vdc field power

### Mapping Data into the Image Table



### PROFIBUS Address Setup

Each PROFIBUS Adapter could have a unique address (from 1 to 99) so that it can be address independently from other nodes. The address 0 is reserved to identify a broadcast exchange. No response is returned to broadcast requests sent by the master.



The above figure shows MAC ID 27(=2\*10+7\*1)of a slave node

### Communication Speed Setting

- See Master Module Setting about communication speed setting.